

SMT 8000 MG J

Thru Beam

Photoelectric Sensors

Compatible Receivers:

SMR 8400 MG J

SMR 8500 MG J

SMR 8520 MG J

SMR 8420 MG J




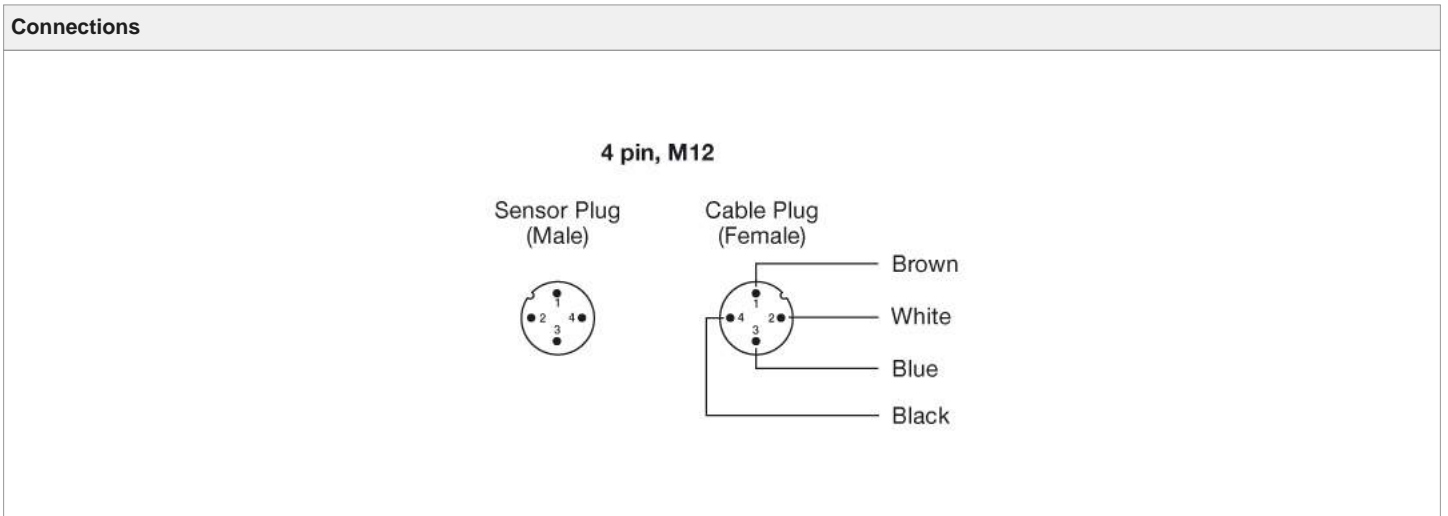
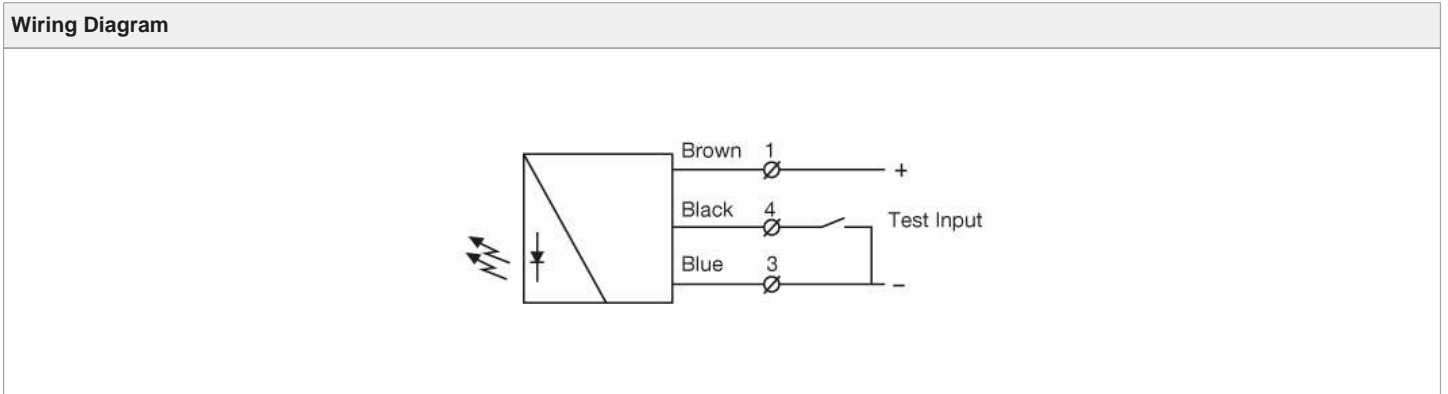
Product Data	
Function	Transmitter
Operation Mode	Thru Beam
Supply Voltage	10 - 30 V dc
Control Feature	Test input
Connection	4 pin, M12 plug
Sensing Range	20 m
Light Source	Infrared (880 nm)
Housing Material	Stainless Steel
Housing	M18 x 1

Technical Data	
Supply Voltage	10 - 30 V dc
Voltage Ripple	15 %
Reverse Polarity Protected	Yes
Current Consumption	15 mA
Test Input	Yes
Power On Indicator	Green LED
Light Source	Infrared (880 nm)
Emission Angle	+/- 2°
Housing Material, Front Lens	Polycarbonate
Housing Material, Sensor Housing	Stainless Steel (AISI 316 / 1.4401)
Cable	3 x 0,14 mm ²
Cable Sleeve	PVC Ø 4,0 mm

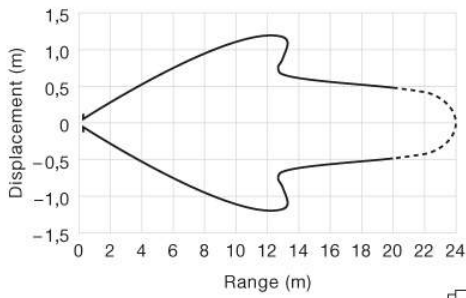
Environmental Data	
Vibration	10 - 55 Hz, 0,5 mm
Shock	30 g
Operation Temperature	-20 to +60 °C

Storage Temperature	-40 to +80 °C
Sealing Class	IP 67

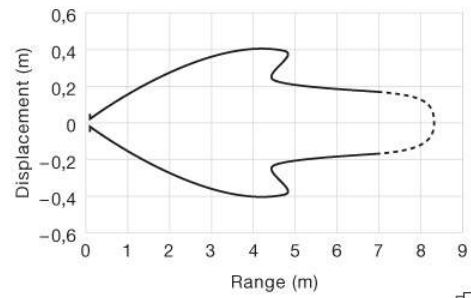
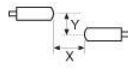
Approvals

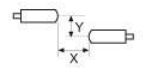
Parallel Displacement



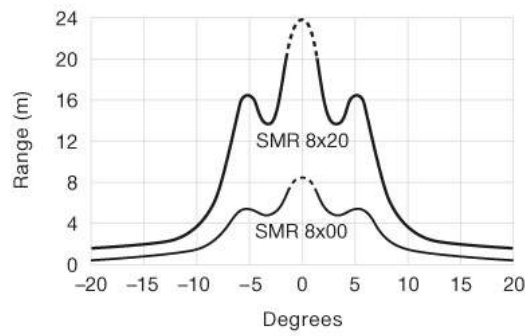
SMT 8x00x and SMR 8x20



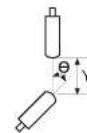
SMT 8x00 and SMR 8x00



Angular Displacement



SMT 8x00x



Dimensions

