

## SMP 8500 MG J

Diffuse Proximity

Photoelectric Sensors




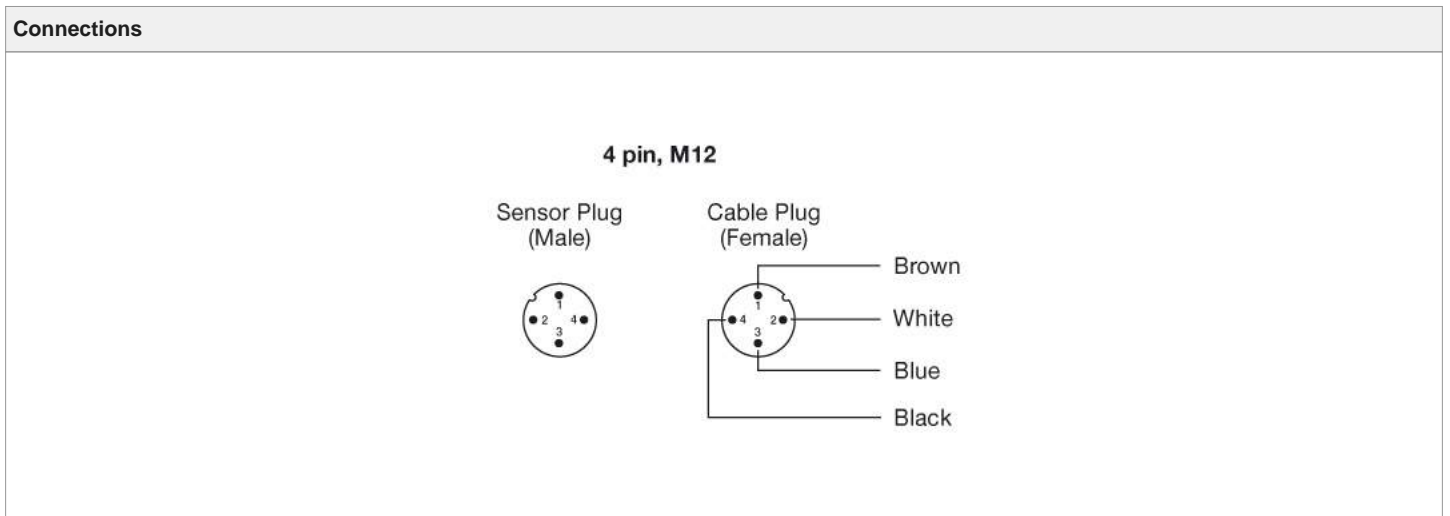
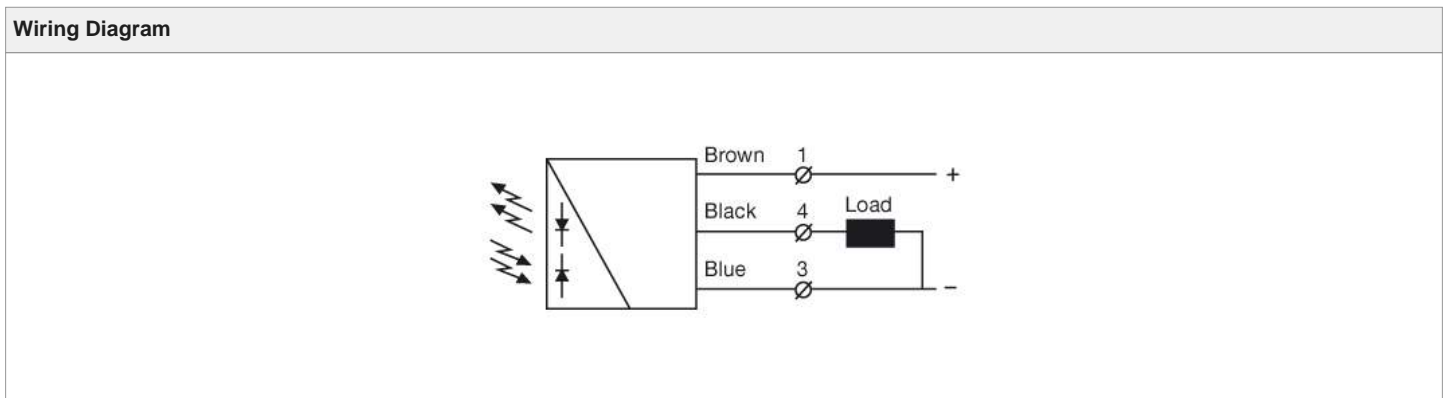
Product Data	
Function	Both
Operation Mode	Diffuse Proximity
Supply Voltage	10 - 30 V dc
Control Feature	Sensitivity pot. and light/dark switch
Connection	4 pin, M12 plug
Sensing Range	0,5 m
Output	PNP
Output Status	N.C./N.O.
Light Source	Infrared (880 nm)
Housing Material	Stainless Steel
Housing	M18 x 1

Technical Data	
Supply Voltage	10 - 30 V dc
Voltage Ripple	15 %
Reverse Polarity Protected	Yes
Short Circuit Protected	Yes
Current Consumption	14 mA
Max. Output Load	120 mA / 30 V dc
Max. Residual Voltage	1,5 V
Max. Operation Frequency	250 Hz
Response Time ton / toff	2 ms / 2 ms
Power On Indicator	Green LED
Output Indicator	Yellow LED
Hysteresis	Approx. 5 - 15 %
Opening Angle	+/- 4°
Housing Material, Front Lens	Polycarbonate
Housing Material, Sensor Housing	Stainless Steel (AISI 316 / 1.4401)

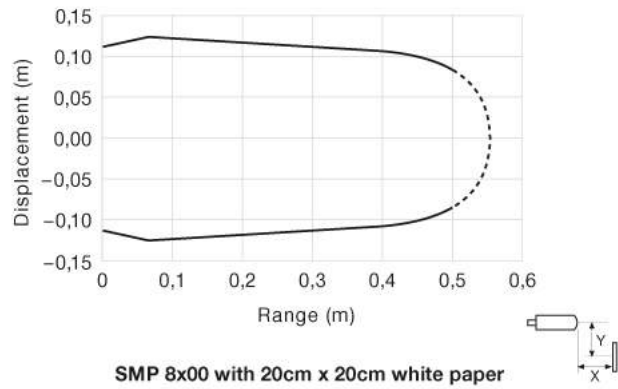
Cable	3 x 0,14 mm <sup>2</sup>
Cable Sleeve	PVC Ø 4,0 mm

Environmental Data	
Vibration	10 - 55 Hz, 0,5 mm
Shock	30 g
Operation Temperature	-20 to +60 °C
Storage Temperature	-40 to +80 °C
Sealing Class	IP 67
Light Immunity 15'	> 40 000 lux

Approvals




Parallel Displacement



Dimensions

