

PA 11 B 303T

Photoelectric Amplifier

Remote Photoelectric Systems



| Product Data | |
|------------------------|--------------------|
| Function | Amplifier |
| Supply Voltage | 24 V dc |
| Sensing Range | 70 m |
| Output | Relay and NPN |
| Sensitivity Adjustment | Manual |
| Housing | 11-pole DIN socket |

| Technical Data | |
|--------------------------------------|---|
| Supply Voltage | 24 V dc |
| Voltage Tolerance | +/- 15 % |
| Current Consumption | Max. 3,5 VA |
| Response Time ton / toff, Relay | 35 ms / 35 ms |
| Response Time ton / toff, Transistor | 25 ms / 25 ms |
| Output, Relay | 1 open/1 close, 250 V ac/3 A, 120 V ac/5 A |
| Output, Transistor | 60 mA / 30 V dc |
| Power On Indicator | Green LED |
| Output Indicator | Yellow LED |
| LR Sensor Failure Indicator | Red LED |
| LT Sensor Failure Indicator | Red LED |
| Signal Level Indicator | Green LED |
| Sensor Monitor LED Drive | Green LED on the receiver: 'Power ON' Yellow LED on the transmitter: PA 11 output activated |
| Hysteresis | Approx. 45 % |
| Operation Frequency, Relay | 14 Hz |
| Operation Frequency, Transistor | 20 Hz |
| Housing Material | Noryl |

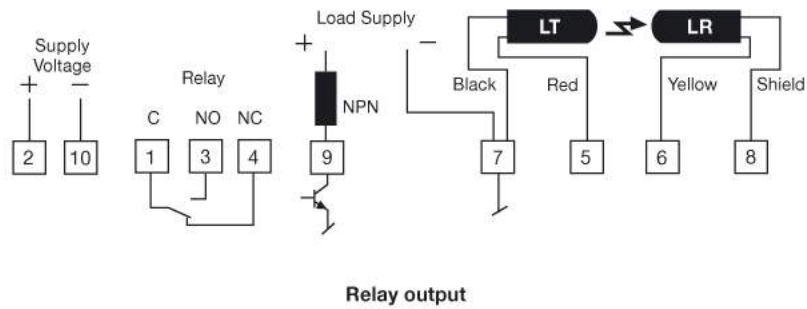
Environmental Data

| | |
|-----------------------|----------------|
| Operation Temperature | - 10 to +50 °C |
| Storage Temperature | - 40 to +80 °C |
| Sealing Class | IP 40 |

Approvals



Wiring Diagram



Dimensions

