

MPA 21 A 503

Multiplexed Amplifier

Remote Photoelectric Systems



Product Data	
Function	Amplifier
Supply Voltage	24 V dc
Sensing Range	45 m
Number of Channels	2
Output	2 individual relays
Timer	On/Off Delay
Sensitivity Adjustment	Manual
Housing	11-pole DIN socket

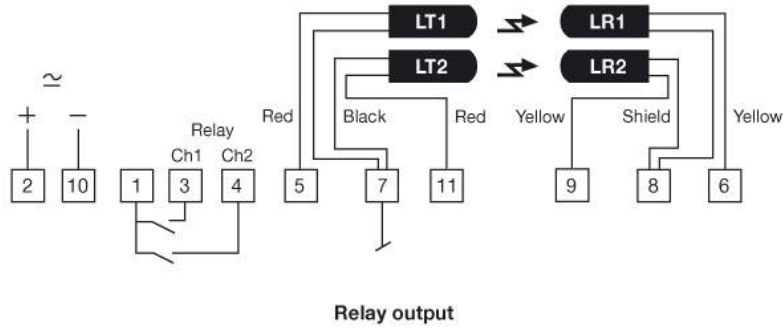
Technical Data	
Supply Voltage	24 V dc
Voltage Tolerance	+/- 15 %
Current Consumption	Max. 3 VA
Response Time t_{on} / t_{off} , Relay	55 ms / 55 ms
Output, Relay	1 open/ 1 close, 250 V ac/3 A, 120 V ac/5 A
Power On Indicator	Green LED
Output Indicator	Red LED
Signal Level Indicator	Green LED
Hysteresis	Approx. 35 %
Operation Frequency, Relay	9 Hz
Delay Time t_{on} / t_{off}	0 – 3 sec, adjustable
Housing Material	Noryl

Environmental Data	
Operation Temperature	- 10 to +50 °C
Storage Temperature	- 40 to +80 °C
Sealing Class	IP 40

Approvals



Wiring Diagram



Dimensions

