

MPA 21 A 500

Multiplexed Amplifier

Remote Photoelectric Systems



| Product Data | |
|------------------------|---------------------|
| Function | Amplifier |
| Supply Voltage | 230 V ac |
| Sensing Range | 45 m |
| Number of Channels | 2 |
| Output | 2 individual relays |
| Timer | On/Off Delay |
| Sensitivity Adjustment | Manual |
| Housing | 11-pole DIN socket |

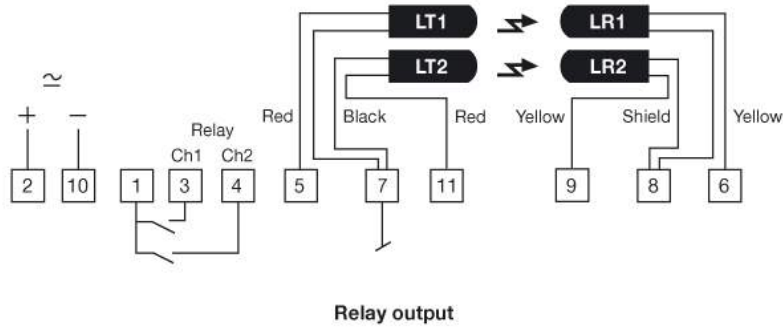
| Technical Data | |
|--|---|
| Supply Voltage | 230 V ac |
| Voltage Tolerance | +/- 15 % |
| Current Consumption | Max. 3 VA |
| Response Time t_{on} / t_{off} , Relay | 55 ms / 55 ms |
| Output, Relay | 1 open/ 1 close, 250 V ac/3 A, 120 V ac/5 A |
| Power On Indicator | Green LED |
| Output Indicator | Red LED |
| Signal Level Indicator | Green LED |
| Hysteresis | Approx. 35 % |
| Operation Frequency, Relay | 9 Hz |
| Delay Time t_{on} / t_{off} | 0 – 3 sec, adjustable |
| Housing Material | Noryl |

| Environmental Data | |
|-----------------------|----------------|
| Operation Temperature | - 10 to +50 °C |
| Storage Temperature | - 40 to +80 °C |
| Sealing Class | IP 40 |

Approvals



Wiring Diagram



Dimensions

