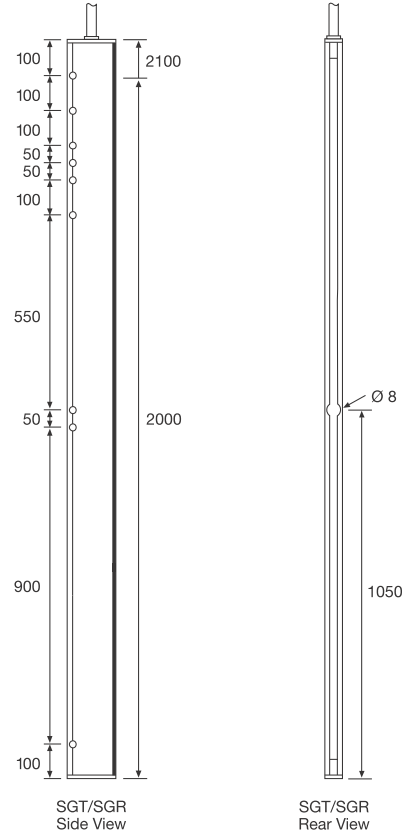
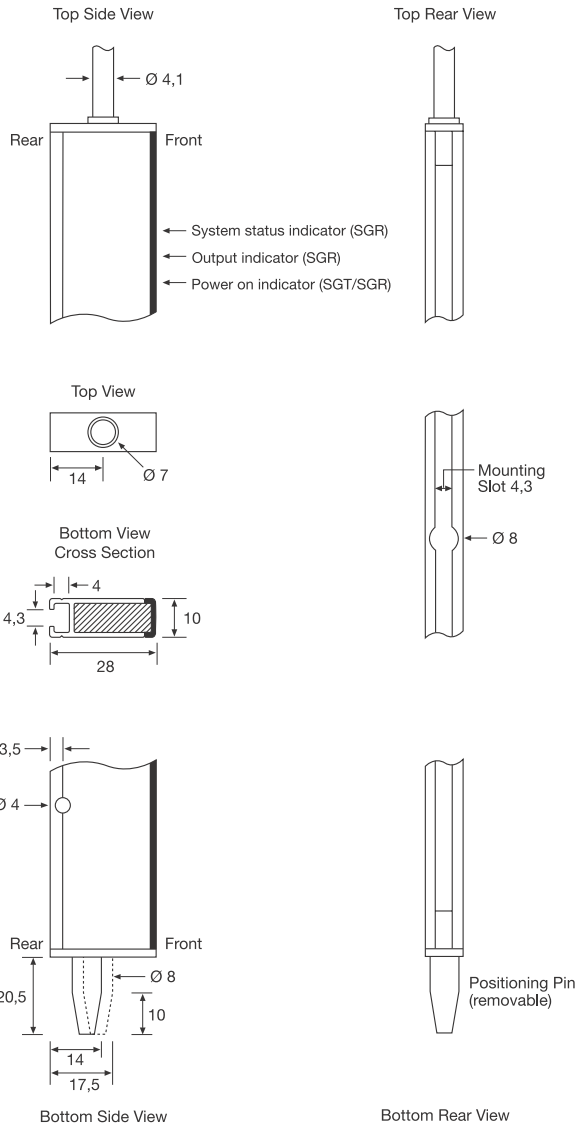


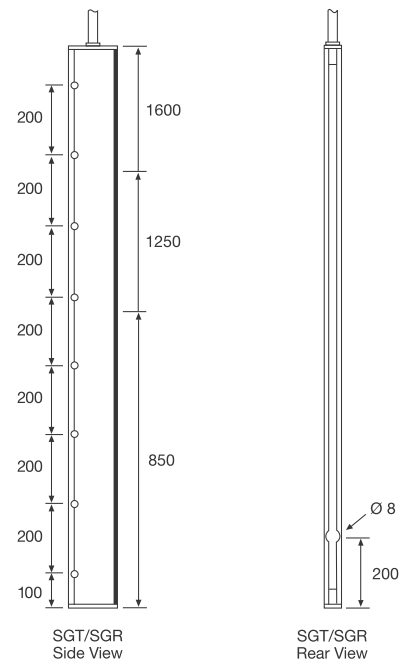
Dimensions and Descriptions

Slim Line A

Details



SGT/SGR 1-200/210



SGT/SGR 1-085/125/160

(Units in mm)