

Description

- Operation mode and max sensing range:
Thru-beam: 0-45 m
Diffuse proximity: 0-3,5 m
- 230 V ac, 115 V ac, 24 V ac or 24 V dc supply voltage
- Manual sensitivity adjustment
- Adjustable on/off time delay
- 2 relays or 2 transistor outputs
- Power, output and signal level indicators
- Switch selectable light or dark function
- Switch selectable long or short range
- 11-pole DIN socket connection



The MPA 21 is a 2-channel, multiplexed photoelectric amplifier, which is to be used in conjunction with 2 sets of remote transmitters LT and receivers LR, from the series 100, 110 and 120.

The 2 channels operate independently of each other with their own set of remote transmitter and receiver. The multiplexing function ensures that optical cross talk between channels is prevented.

The series offers a choice between 2 individual relays or 2 individual NPN/PNP transistor outputs, with or without an adjustable 0-3 sec on/off time delay.

This amplifier series offers manual sensitivity adjustment for each individual channel via integral potentiometers located on the front panel of the amplifier. Light or dark function and long or short range are switch selectable for each individual channel.

Technical Data		
Supply voltage		24 V dc, 24 V ac, 115 V ac or 230 V ac
Voltage tolerance		+/- 15 %
Current consumption		Max. 3 VA
Output	Relay	1 open / 1 close, 250 V ac / 3 A, 120 V ac / 5 A
	Transistor	40 mA / 30 V dc
Alarm output		-
Power on indicator		Green LED
Output indicator		Red LED
Signal level indicator		Green LED
LR receiver failure indicator		-
LT transmitter failure indicator		-
Sensor monitor LED drive		-
Hysteresis		Approx. 35 %
Operation frequency	Relay	9 Hz
	Transistor	11 Hz
Response time t_{ON} / t_{OFF}	Relay	55 ms / 55 ms
	Transistor	45 ms / 45 ms
Delay t_{ON} / t_{OFF}	MPA 21 A	0-3 sec, adjustable
Housing material		Polycarbonate

Environmental Data		
Temperature, operation		-10 to +50 °C
Temperature, storage		-40 to +80 °C
Sealing class		IP 40
Approvals		CE PA CB

Available Types

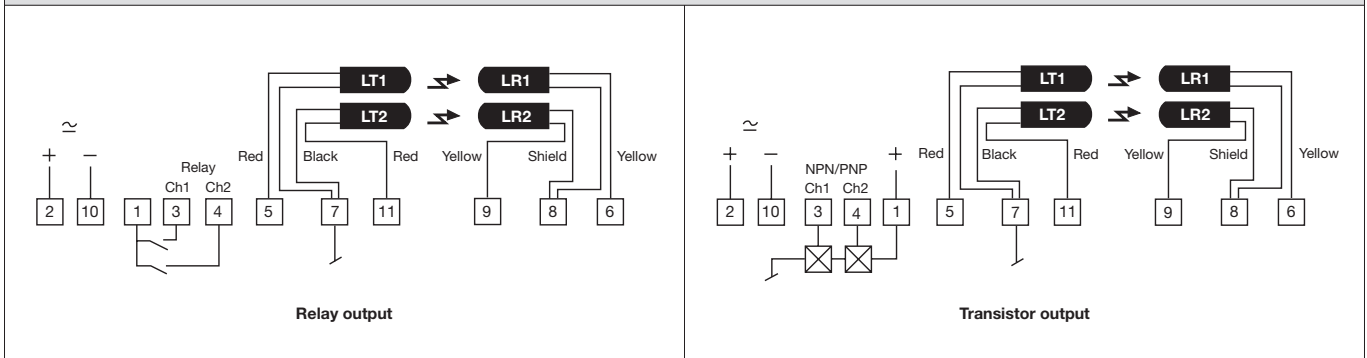
Model	Connection	Time Delay	Supply Voltage	24 V dc	24 V ac	115 V ac	230 V ac
			Output	Order Reference			
MPA 21 A	11-pole DIN socket	On/Off delay	2 individual relays	MPA 21 A 503	MPA 21 A 502	MPA 21 A 501	MPA 21 A 500
			2 individual NPN/PNP	MPA 21 A 603	MPA 21 A 602	MPA 21 A 601	MPA 21 A 600
-		2 individual relays	MPA 21 B 503	MPA 21 B 502	MPA 21 B 501	MPA 21 B 500	
		2 individual NPN/PNP	MPA 21 B 603	MPA 21 B 602	MPA 21 B 601	MPA 21 B 600	

Note: Remote sensors and 11-pole DIN socket to be ordered separately.

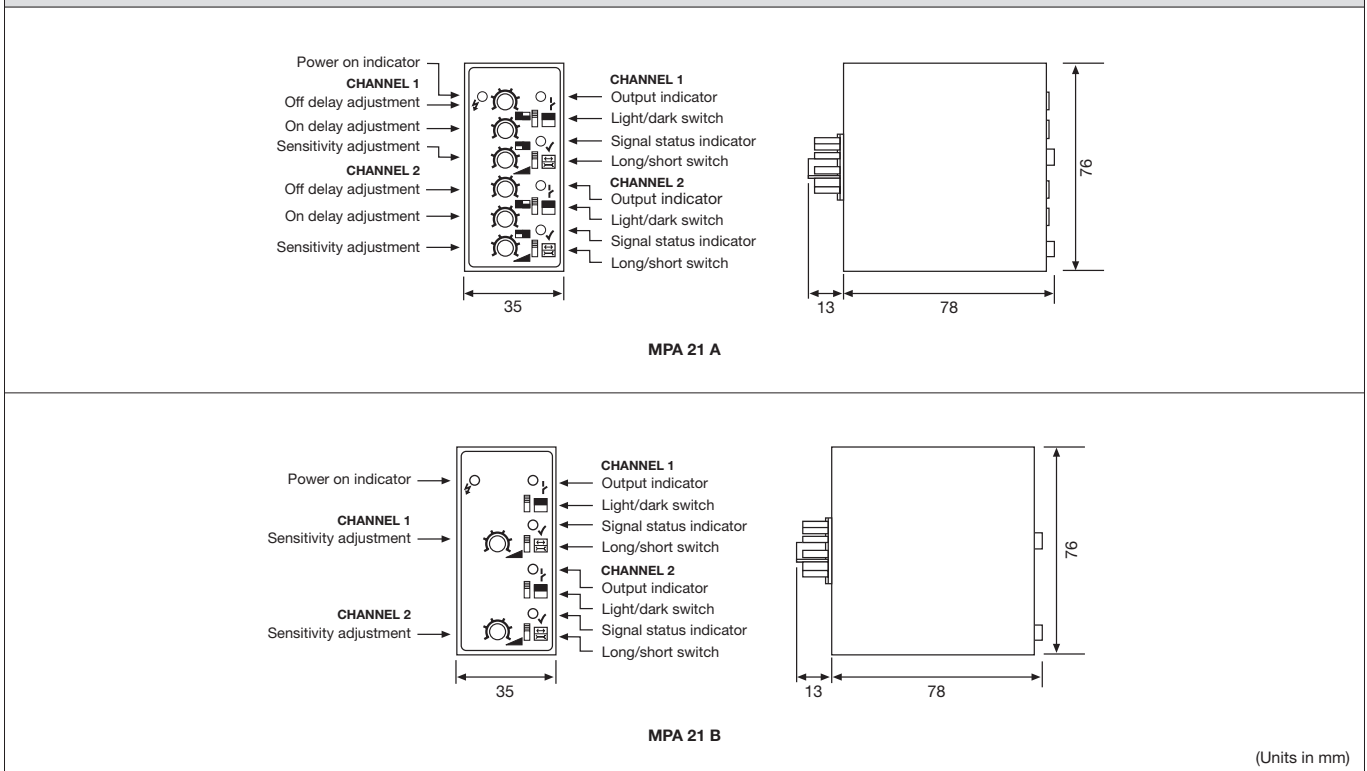
Applicable Remote Sensors and Ranges

Series	Thru-beam	Diffuse Proximity
100	10 m	0,7 m
110	25 m	1,6 m
120	45 m	3,5 m

Wiring Diagrams



Dimensions and Descriptions



(Units in mm)

Telco reserves the right to change specifications without notice.